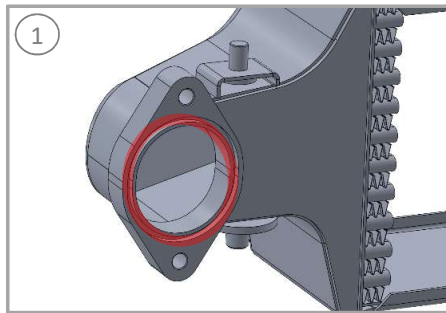


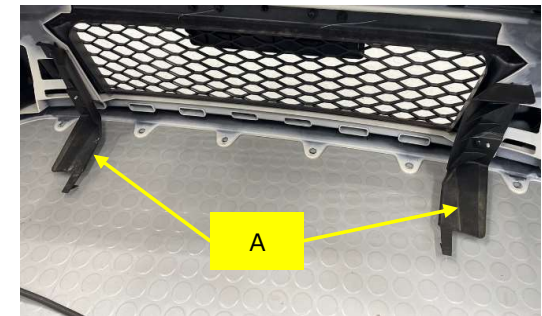
In order to install DRLIA040060, there are some parts to be modified.
Please follow the steps below.

PARTS No. DRLIA040060

1. Cut the bump off from the o-rings,
to make them fit into the L & R pipe joints of DRLIA040060 (see the red circle on illustration ①)
※ Please take care not to damage the o-rings.
※ If you find the o-rings deteriorated, please replace with new ones (Ref No.19716-66V-A01)



2. Remove the parts "A" on the bumper side.



- ③ Trim the mount parts of air temperature sensor not to interfere with the intercooler.
※ Reattach the sensor to the mounting parts remained.

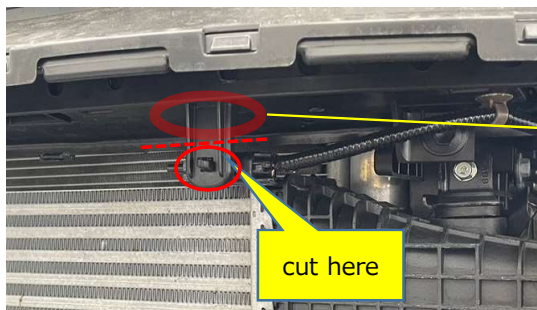


Image of **DRLIA040060** installation.

