

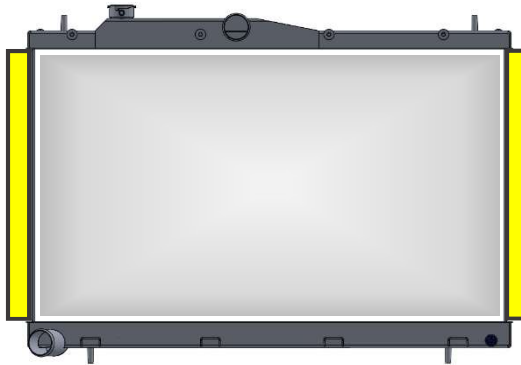
Number    DRLRA000050                      Model    WRX S4, LEVORG VN5/VNH, FORESTER SK5

---

**Use of the sponges is recommended**

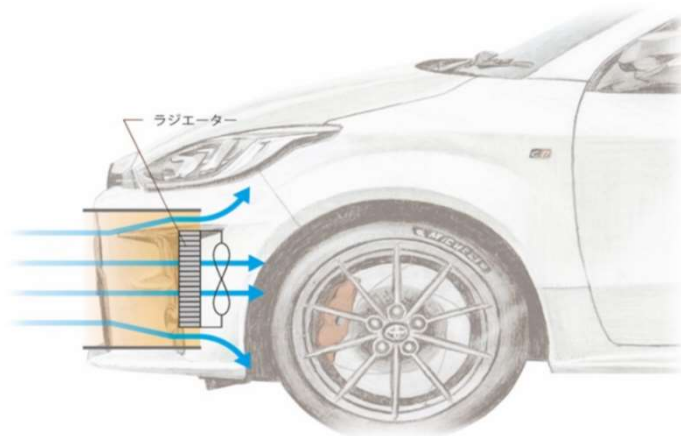
When the radiator is installed on the fan shroud, there will be a gap left and right of the product.  
Please use the included sponges in order to prevent the airflow from escaping.

Please fit the included sponges (shown in yellow here) along the sides of the core support.



**Without sponges**

When the product is installed without the sponges, the airflow escapes through the gap.



**With sponges**

When the core support is fitted with the sponges and installed on the fan shroud, the gaps are sealed, preventing the airflow from escaping.

